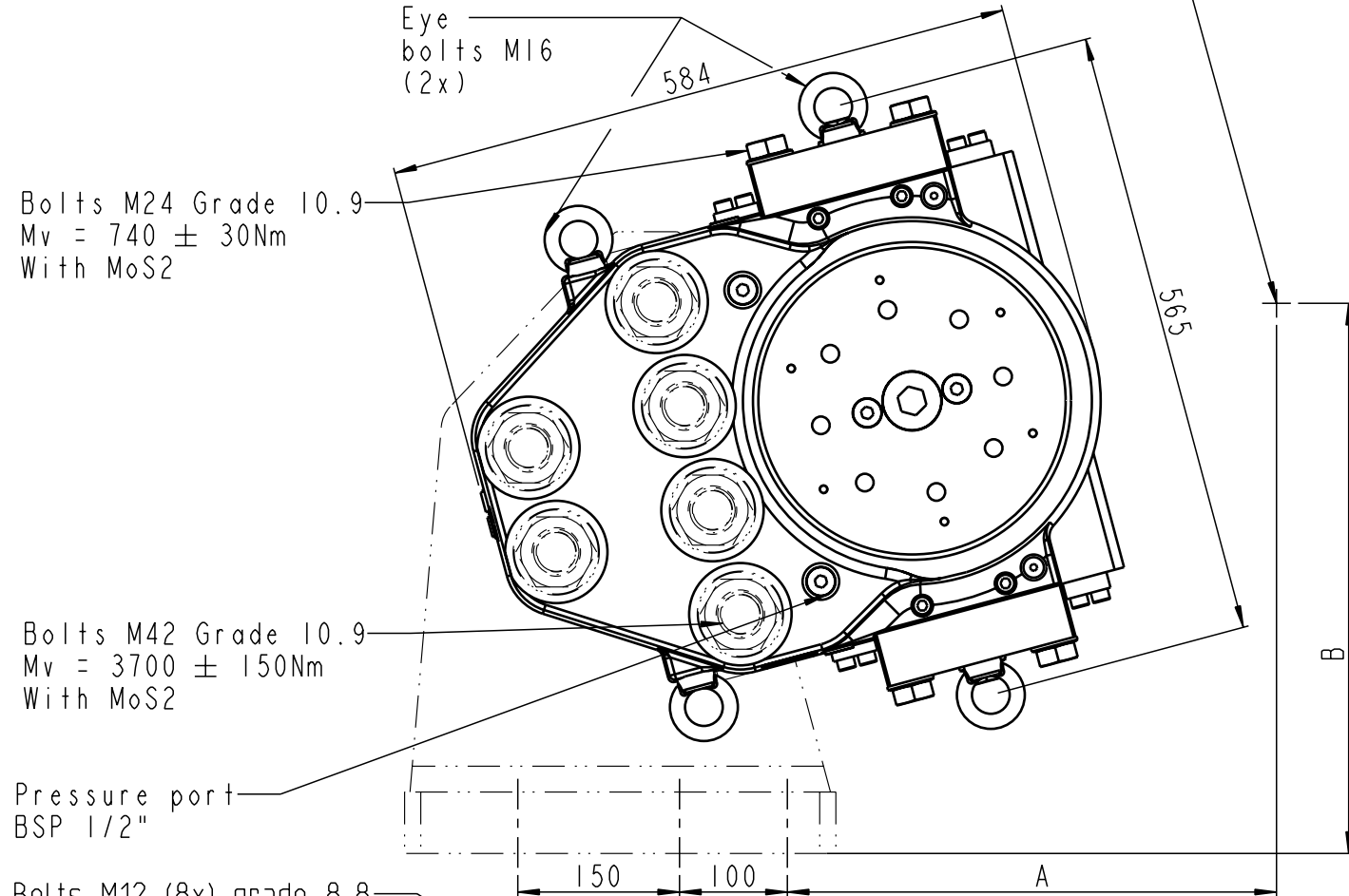


Denmark: Jernbanevej 9, 5882 Vejstrup, Denmark
Germany: Kirchnerstrasse 42, D-32257 Bünde, Germany

Rev.D 93225 RRH 22.08.2006
Rev.E 93238 RRH 25.08.2006

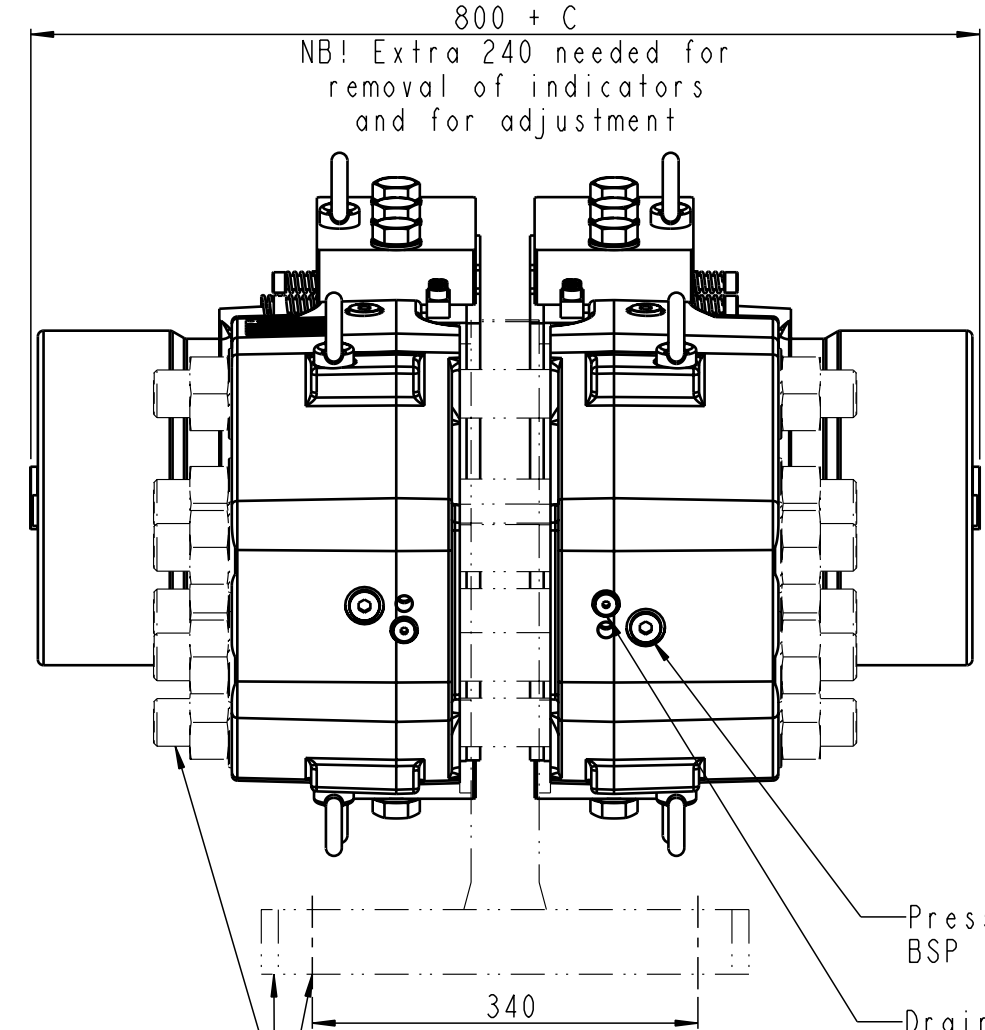


Bolts M24 Grade 10.9
Mv = 740 ± 30Nm
With MoS2

Bolts M42 Grade 10.9
Mv = 3700 ± 150Nm
With MoS2

Pressure port
BSP 1/2"

Bolts M12 (8x) grade 8.8
Mv=52±6 Nm
Dry



800 + C
NB! Extra 240 needed for removal of indicators and for adjustment

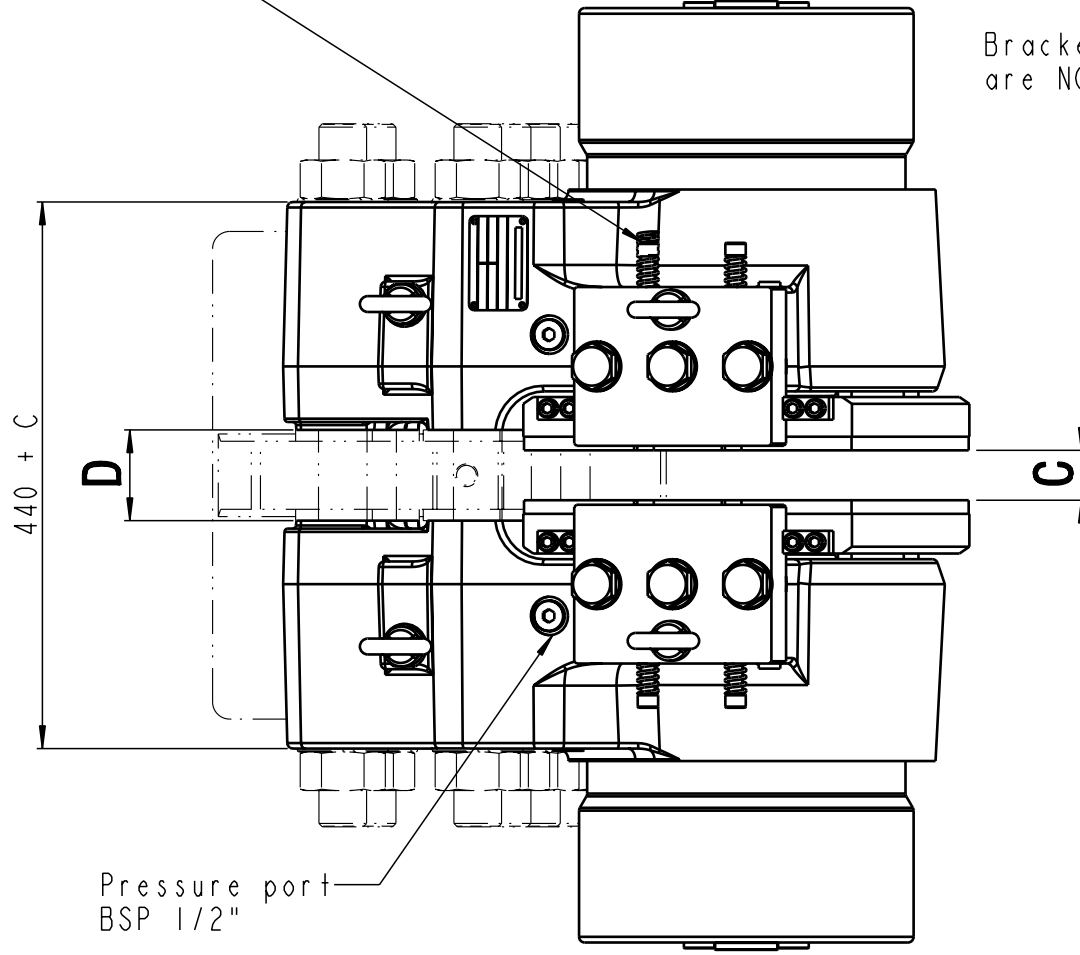
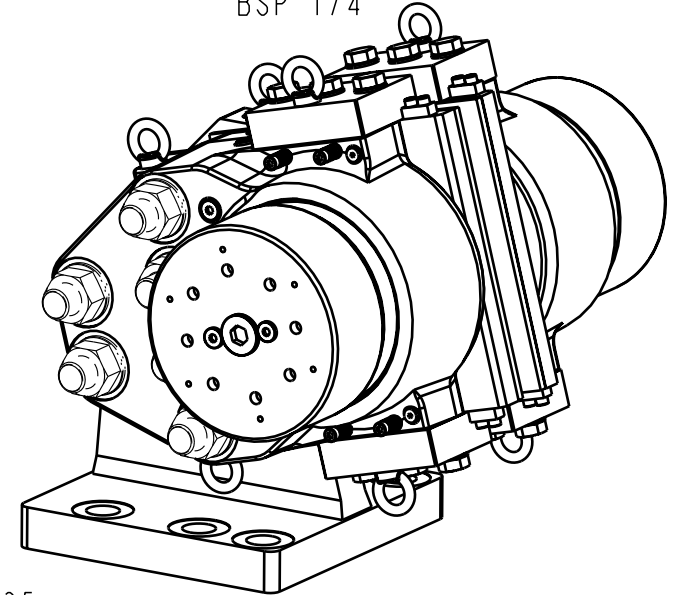
Pressure port
BSP 1/2"
Drain port
BSP 1/4"

Bracket and mounting bolts are NOT included in brake

Ø45 (6x)
For bolts M42 grade 10.9
Mv= 3700±150 Nm
With MoS2

Distance from center of disc
(R= Radius of disc)
A = 0.966(R-150) + 115.6
B = 0.259(R-150) + 420

C = Disc thickness
D = Mounting surface width = C + 40
Mounting drawing, see drawing 490 3335
Weight: approx 710 kg incl. brake pads ((excl. bracket and bolts)



Pressure port
BSP 1/2"

Tolerances for corner radii, angles, chamfers and threads according to: DS/EN 22768 - m		✓ Indicates Ra in µm	All dimensions in mm	Accep. for prod. by
Drawn by NCH	Date: 02.08.2004	Description BSFB 600-S-100		Drw+Design checked by
				Revision E
SVENDBORG BRAKES		Drawing No. 490-3292		Scale 3:20 (A3)
				Sheet 1 of 1 sheets

This drawing/document is the sole property of Svendborg Brakes A/S and may not be copied, given to a third party or used for unauthorized purpose

Svendborg Brakes A/S reserves the right to revise this document without prior notification or obligation

CONFIDENTIAL

CHECKED by SYSTEM RELEASED
12-04-2010 by rh